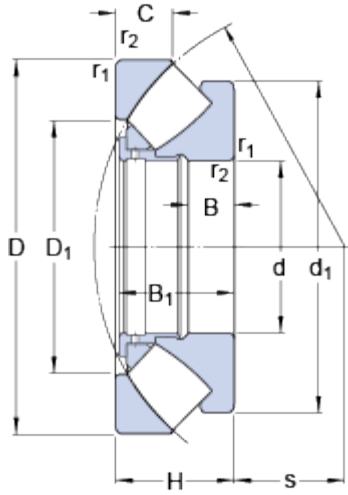


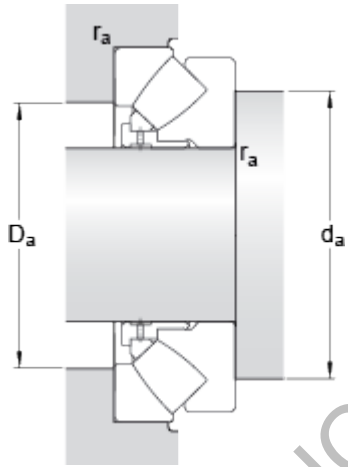
294/500 EM

Dimensions



d	500	mm
D	870	mm
H	224	mm
d ₁	≈ 795	mm
D ₁	≈ 648	mm
B	86	mm
B ₁	216	mm
C	110	mm
s	290	mm
r _{1,2}	min. 9.5	mm

Abutment dimensions



d _a	min. 685	mm
D _a	max. 755	mm
r _a	max. 8	mm

Calculation data

Basic dynamic load rating	C	9370	kN
Basic static load rating	C ₀	40000	kN
Fatigue load limit	P _u	2850	kN
Reference speed		340	r/min
Limiting speed		670	r/min
Minimum axial load factor	A	150	

Mass

Mass bearing		560	kg
--------------	--	-----	----